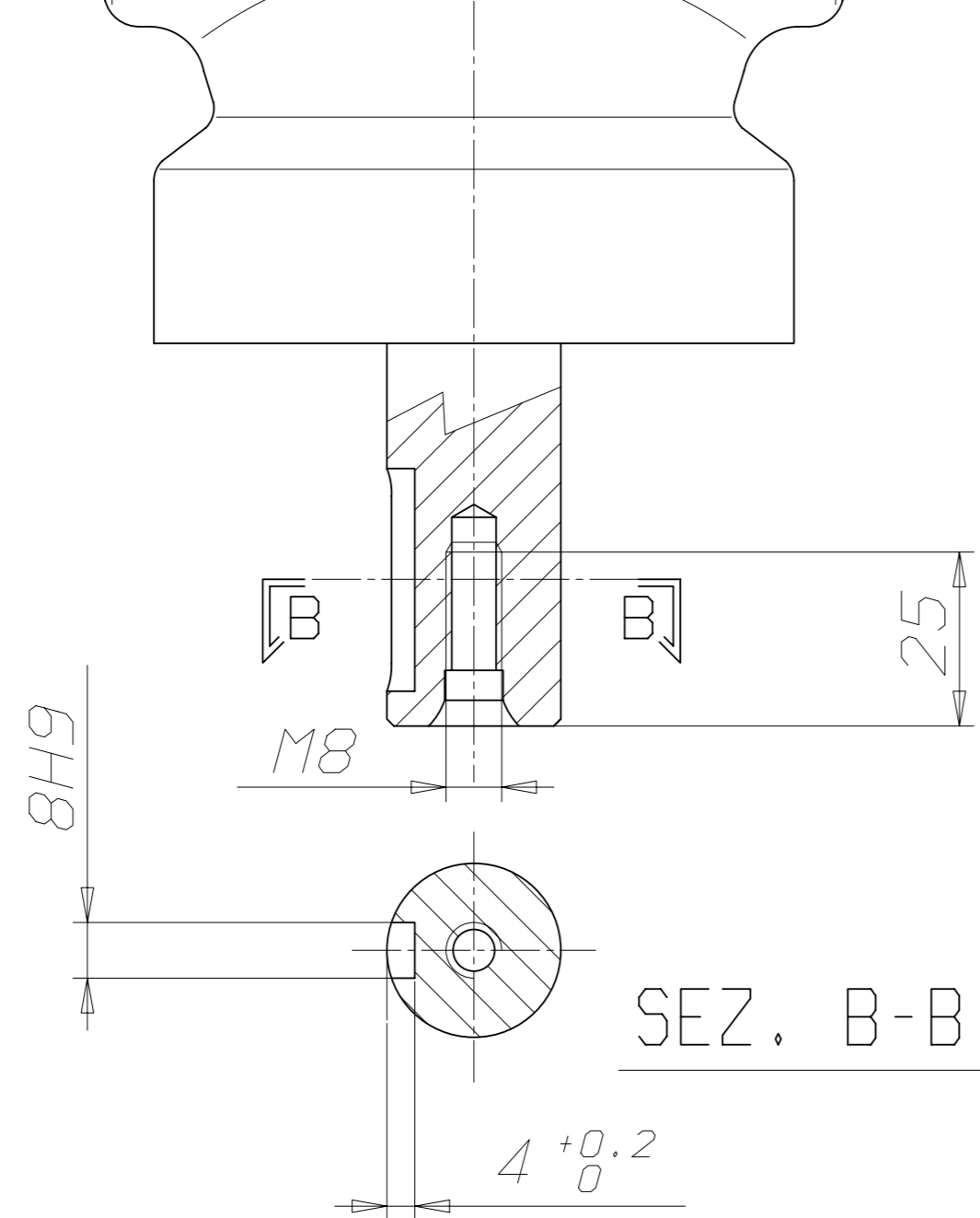
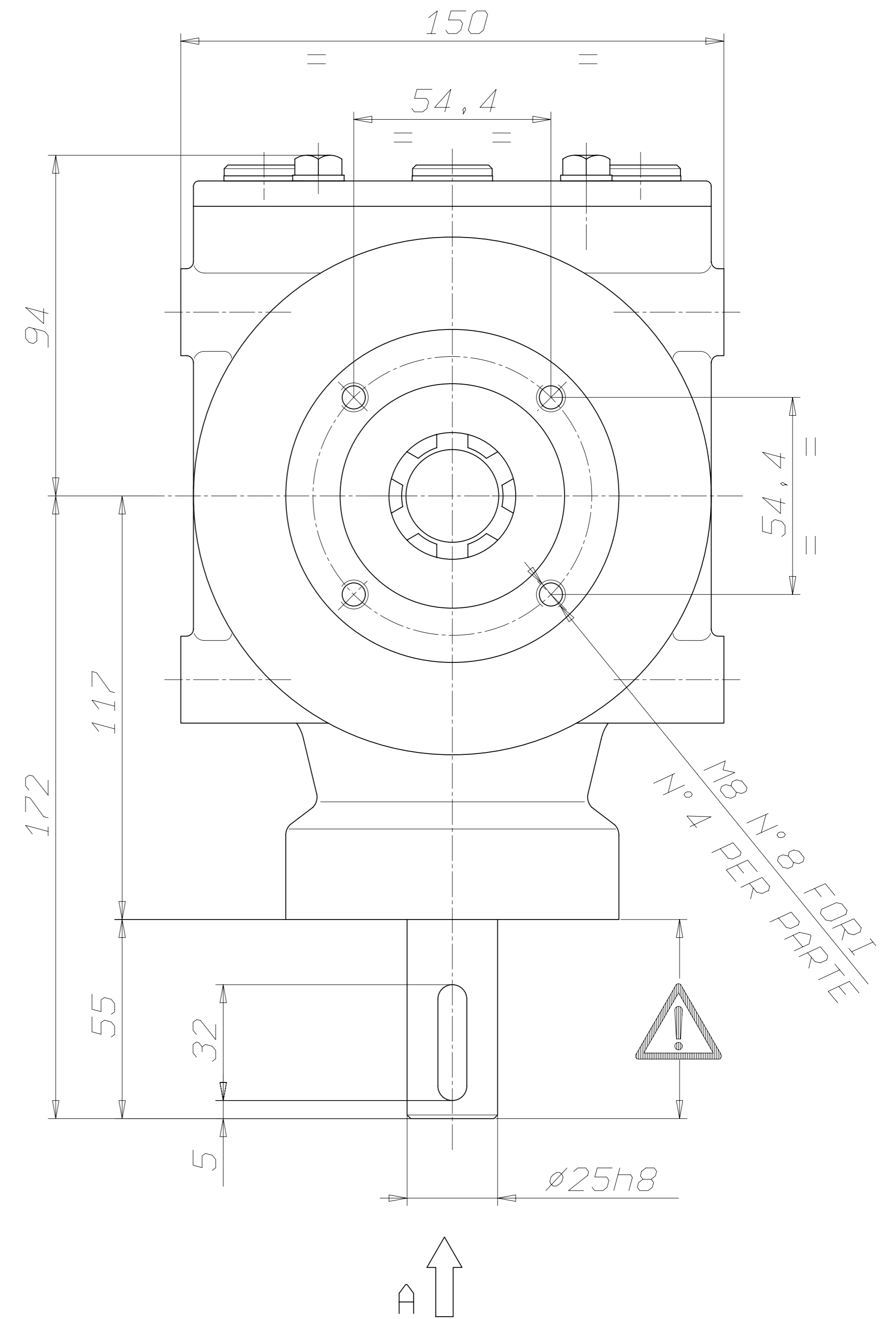
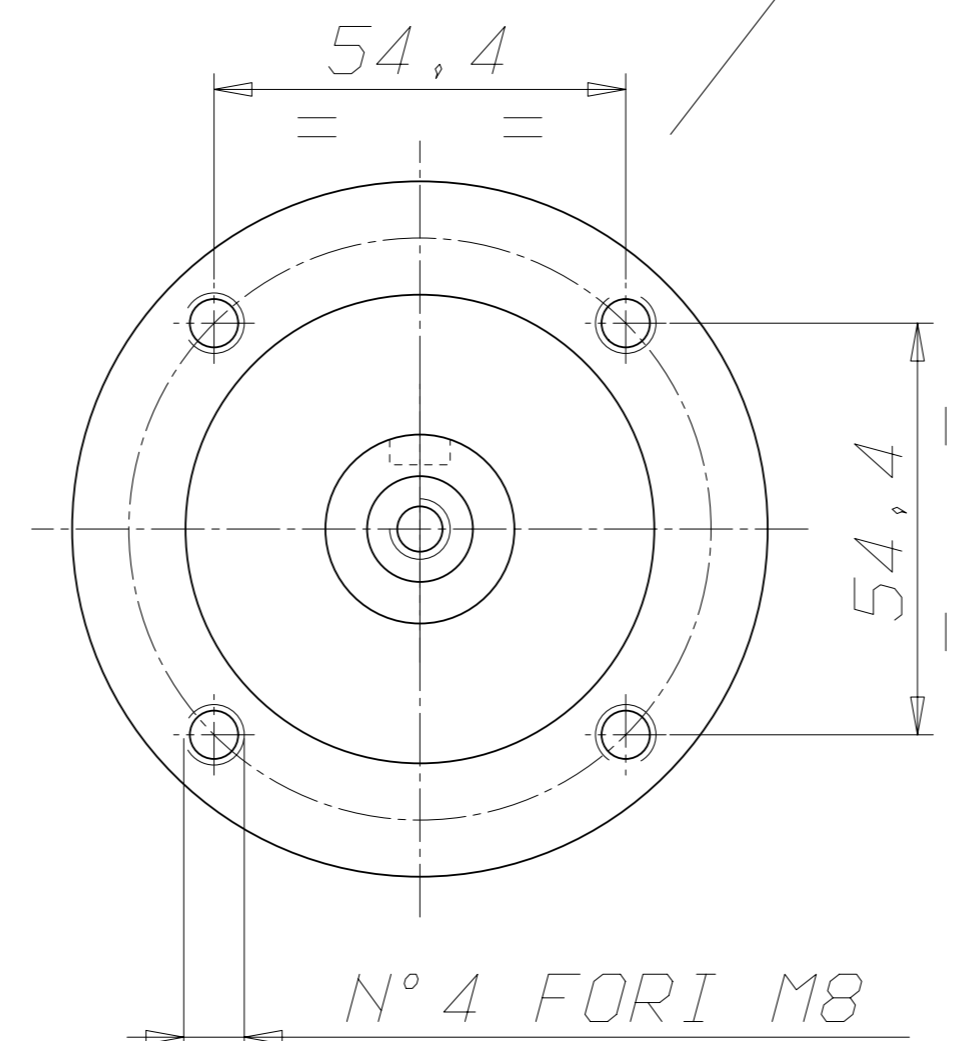


N° 8 FORI M10
N° 4 PER PARTE

WARNING!
ROTATING SHAFTS MARKED ARE NOT SHIELDED. ANY SHAFT AND COUPLING NOT GUARDED BY LOCATION MUST BE SHIELDED BY AN INTERACTIVE GUARDING SYSTEM. BONDOLI & PAVESI DECLINES RESPONSIBILITY IF PROPER GUARDS ARE NOT PROVIDED AND MAINTAINED.

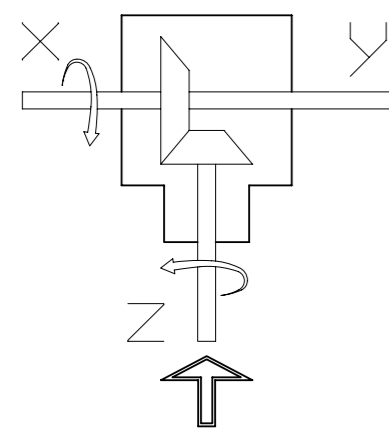


VISTA DA "A"



M8 N° 8 FORI
N° 4 PER PARTE

MONTAGGIO / GEAR ARRANGEMENTS



RAPPORTO / RATIO

3.90:1

GIRI IN ENTRATA / INPUT SPEED

540

POTENZA IN ENTRATA / INPUT POWER

5 CV 4 KW

TIPO / TYPE

2021

TIPO DI MACCHINA / TYPE OF IMPLEMENT

RIF. CLIENTE / CUSTOMER REF.

CLIENTE / CUSTOMER

PESO / WEIGHT

DISEGNATO / DESIGNED BY

M. Raffaldoni

DATA / DATE

3/10/06



CODICE / CODE

S2021390G211

REV.